



B.S.E.ELECTRONIC CO.,LTD

BF OBSTRUCTION LIGHT

Compliances:

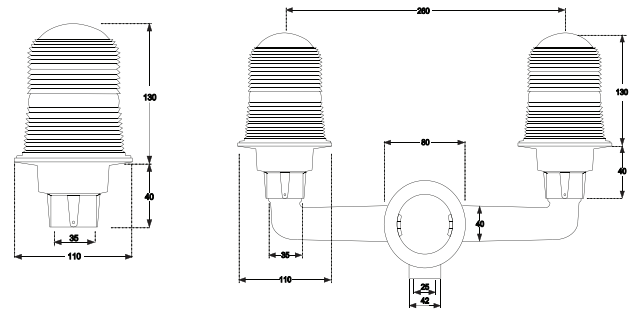
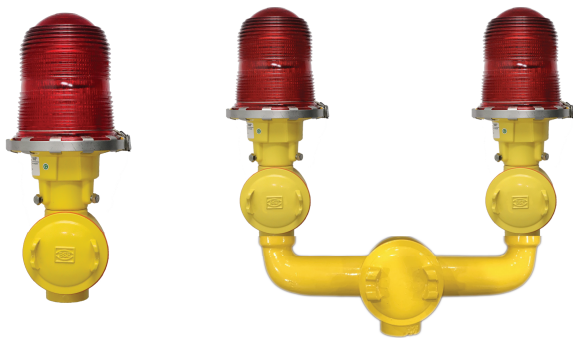
FAA AC 150/5345-43: L-810

FCC Rules and Regulations

Canadian Standards Association (CSA)

ICAO ANNEX 14

OB.Light red steady-burning obstruction lights are used to mark tall structures that present hazards to air navigation. During the night, these lights warn pilots to stay clear of the obstruction when installed in accordance with FAA AC 70/7460-1 and applicable FCC and ICAO rules and recommendations. Together with flashing FAA L-864 red beacons and BSE controllers, BSE OB.Light contribute to integrated lighting system. Applied individually, single and double BSE OB.Light mount directly to conduit risers and may be combined with a BSE controllers universal transfer & alarm relay for lamp backup and remote lamp failure alarm indication. Usually, one photoelectric controller is sufficient to provide automatic lighting activation at dusk in accordance with FAA specifications. All BSE OB.Light include lens tethers.



Dimension

Features:

- Red fresnel glass globes for 360° visibility
- Operates on 120 or 220-240 volts and 60 or 50Hz frequency power supply when used with proper voltage lamp
- Threaded hub (1 Inch) for mounting
- Pre-wired leads
- Cast aluminum housing with yellow finish
- Globes with tether & clamp band
- Accepts traffic signal lamps with USA medium screw base and European E27 base
- O-Ring globe seal
- Lamp Life 4000 hours at 120 Volts or 8,000 hours for 220-240V and more than 100,000 hours for LED lamp application.

\*\*\* BODY CAT NO. : BS-RF-001 , TIS.513-2553 (IP65)

B.S.E. ELECTRONIC CO.,LTD.

TEL: 0-2803-6303-4 FAX: 0-2803-7636

http://www.bseelectronic.com ,http://www.oblight.net



B.S.E.ELECTRONIC CO.,LTD

BF OBSTRUCTION LIGHT

Compliances:

FAA AC 150/5345-43: L-810

FCC Rules and Regulations

Canadian Standards Association (CSA)

ICAO ANNEX 14

**SINGLE OB.LIGHT**

Model	BF1220R7E27	BF1220R5E27	BF1220R14
Volts	220-240 V	220-240 V	220-240 V
Power	7W	5W	14W
Luminous	650	158	169
Color	Warm	RED	RED
lifetime	20,000	70,000	100,000
Screw Base	E27	E27	-



14W



R



5W



R



7W



W

**DOUBLE OB.LIGHT**

Model	BF2220R7E27	BF2220R5E27	BF2220R14
Volts	220-240 V	220-240 V	220-240 V
Power	7W	5W	14W
Luminous	650	158	169
Color	Warm	RED	RED
lifetime	20,000	70,000	100,000
Screw Base	E27	E27	-



14W



R



5W



R



7W



W



B.S.E.ELECTRONIC CO.,LTD

BF OBSTRUCTION LIGHT

Compliances:

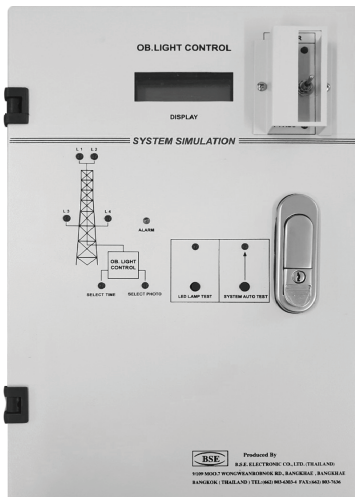
FAA AC 150/5345-43: L-810

FCC Rules and Regulations

Canadian Standards Association (CSA)

ICAO ANNEX 14

## OB.LIGHT CONTROL



Example picture of control cabinet

### Operation mode

1. By Pass Mode, the Ob. Light bulb will turn on immediately (direct-power from the power supply, not through the controller)
2. Auto Mode Ob. Light will work according to the command of the control system (Timer/Photo).
3. OFF Mode Turn off the machine, do not supply power to the system.

Control system to turn on-off Ob. Light (by controlling to start working at dusk and stop working in the morning)

1. Use the timer to control the on-off.
2. Used in conjunction with Photo LDR to control on-off (Optional) is able to program Choose to use at the control cabinet

: There is an alarm system of lamps on the top of the pole in case of each line connecting more than 1 OB. Light bulbs. Alarm sending. Lamps must be torn half of all lamps connected to each line, ready to be able to check the Alarm on the LCD screen, LED lamps. Front of the control cabinet and terminal location of Alarm contact

**\*\*\*The user must have the number of use of the lamp. Due to the control cabinet has many models.**